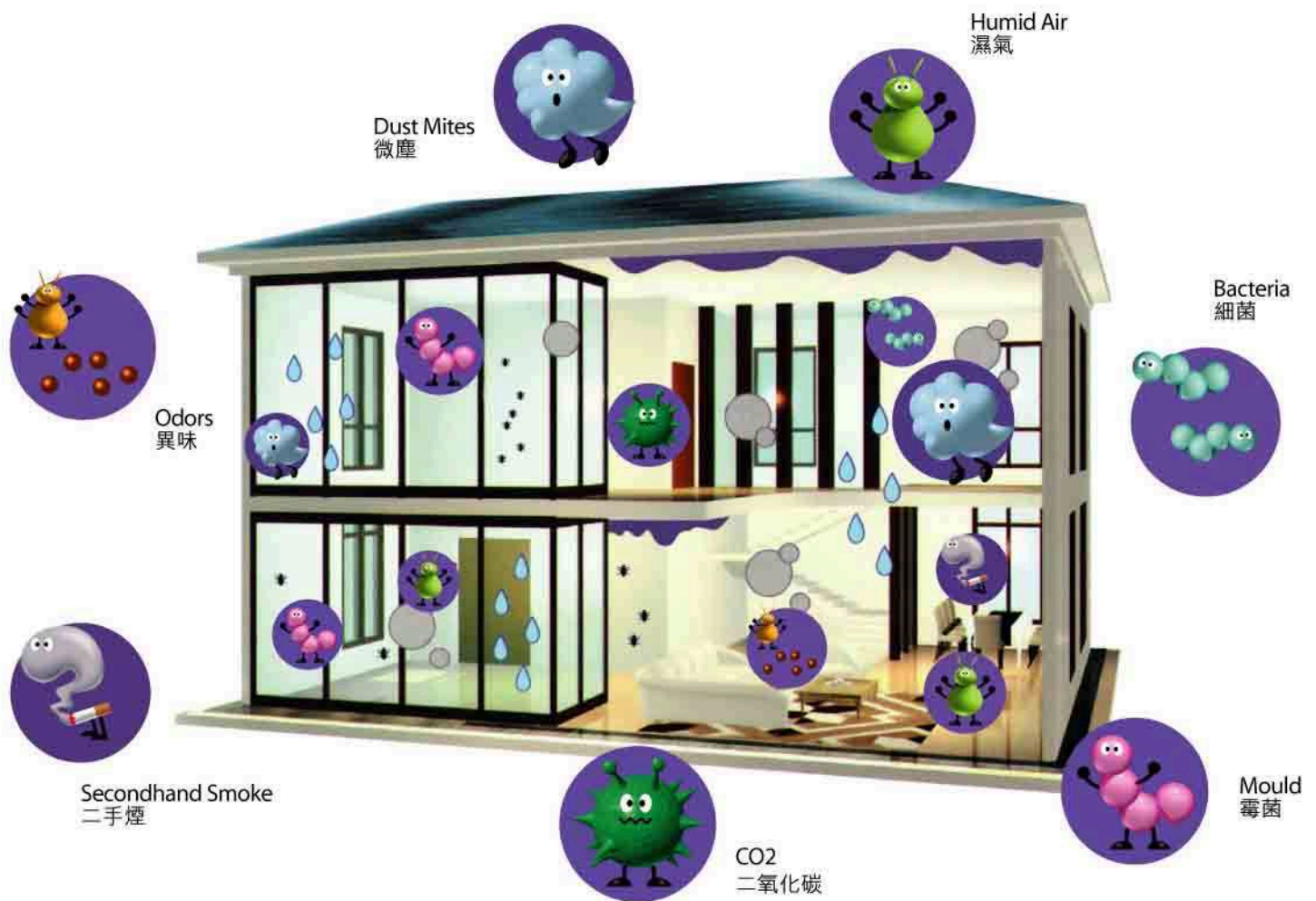


Panasonic
ideas for life

Ceiling Mount Type Ventilating Fan

天花板型換氣扇





Ventilation and Indoor Air Quality 換氣系統及室內空氣質素

Buildings nowadays, especially homes are tightly built with aluminum casing windows and rubber lining door in order to retain energy efficiency. Most homes and commercial buildings have windows and doorways that are sealed to limit heating or cooling loss. These, however, it comes at the cost of poor indoor air quality (IAQ). That means, staying indoors will not give us clear and fresh air because the concentration of indoor pollutants, such as odors, dust, pet dander and bacteria, can reach up to five times higher than found outdoors. These biological pollutants can be hazardous to occupants and structural integrity.

現今的大廈樓宇，大多數是用鋁框窗架和橡膠襯裡窗門建成，目的是為了節約能源。大多數住宅和商業樓宇的窗口和門戶都被密封以限制熱能或制冷的損失。然而，這些會導致室內空氣質素(IAQ)降低，因為室內污染物的集中，例如氣味，塵土，寵物頭垢和細菌，相對室外的污染物可高達五倍，換言之，留在室內不一定會帶給我們新鮮空氣。這些生物污染物對住客和樓宇結構造成傷害。

Volatile organic compounds (VOCs) are carbon-based compounds that easily evaporate. These types of gases are released from building materials, carpets and furniture naming "outgassing". Other household items emit VOC include hair sprays, paints, lacquers, finishes, cleaning solvents, pesticides, etc. VOC can ultimately sensitize certain people to react to them.

揮發性有機化合物(VOCs)是碳基化合物並容易揮發。這些類型的氣體來自建築材料、地毯和家具，俗稱「除氣作用」。其他家居用品包括噴髮膠、油漆、亮漆、拋光劑、洗滌劑、殺蟲劑等都會散發VOC，而VOC可使某些人有致敏反應。





Hazardous indoor chemicals can be categorized into 3 groups

室內有害化學品可以被分為3類

Chemical Substance 化學物質	Origin 來源
<ul style="list-style-type: none"> • Formaldehyde (HCHO) 甲醛 	Plywood Board, Flooring, Furniture, Wall paper 防火夾板，地板， 傢俱，壁紙
<ul style="list-style-type: none"> • Volatile Organic Compunds 揮發性有機化合物 	
1) Toluene, Xylene, Trimethyl Benzen 甲苯，二甲苯，三甲基苯	
2) Phosphoric acid triester (TCEP) 磷酸三氧乙酯	Non-flammable vinyl cloth 防火乙烯布
<ul style="list-style-type: none"> • Organic Phosphoric 有機磷系列物質 	Pesticides 殺蟲劑



In a word, the absence of ventilation leads to improper airflow and coupled with the presence of pollutants, eventually results in oxygen deficiency which is definitely important and necessary for humans.

總而言之，缺乏換氣系統導致不適當的氣流，並且加上污染物的產生，最終導致氧氣不足。


Because of the above reasons, people are becoming increasingly aware of the importance of ventilation and indoor air quality. They believe that proper and effective ventilation is essential for removing excessive moisture that promotes pollutants, which can deteriorate building's structure and cause health problems. Here, Panasonic Ventilating Fans play an important role by removing volatile organic compounds (VOCs), to ensure proper indoor air circulation and conducts proper exchange between the air indoors and outdoors.

基於上述原因，人們越來越注意到換氣系統和室內空氣質素的重要性。他們相信適當和有效的換氣系統對除去助長污染物的過剩濕氣是十分重要的。

Panasonic換氣扇扮演一個十分重要的角色：透過去除揮發性有機化合物(VOCs)，確保良好的室內空氣循環和戶內與戶外的空氣交換。



Ventilating Fan
換氣扇



Panasonic invites you to enjoy a fresh and healthy environment, feel a quiet and comfortable moment with its ventilating fans.

Panasonic 換氣扇，為你提供健康舒適的環境，令你享受安靜宜人的感覺。



Recommended application of Ceiling Mount Ventilating Fans

天花板型換氣扇建議使用地方

*ACH: Air Change Per Hour
每小時換氣次數

** Local regulations concerning the installation of ventilating fans should be fulfilled.
換氣扇的安裝應根據當地條例。

** Installation methods please refer to the operation instruction.
安裝方法請參照安裝說明書。

Features 優點

1 Long Life 長壽命

The unique design of new motor, incorporates with well-lubricated ball bearings, temperature rise is reduced that can increase the motor life time and prolongs the product durability.

獨特設計的馬達以及高度潤滑的滾珠軸承，可減低氣溫上升，再而增加馬達壽命及延長產品之耐用性。

High Efficiency 性能卓越

Taper blade design effectively controls the air turbulence surrounding the blade. That achieves the strong and smooth ventilating performance, as well as reduces the noise level, by whole of the blade.

錐形扇葉設計有效控制了扇葉週圍產生的亂流，實現了扇葉整體強力流暢的換氣功能。

Seam-processed casing ensures strength and hermetic sealing.

獨特的焊縫加工技術，提高了主機外殼的強度及密封性。

Reverse flow prevention shutter results in further improvement of air tightness.

防止氣流百葉，增強了密封性。

3 Super Low Noise 超靜音運作

Distinctive structure of "Double Chamber" minimizes the transmission of noise from fan and motor to exterior. This technology further reduces the operation noise to incredibly low level below 30dB(A) by "Resonance-Noise-Absorption" operation, which creates a tranquility and silent environment for your life.

“雙重面罩”的獨創結構能使抽氣扇所產生的噪音傳輸減到最少。這技術可進一步使操作的聲音降低至30分貝以下，並為你創造寧靜和安靜環境。

Energy Saving 節約能源

The advanced casing design, along with the new motor, improves the fan performance effectively. Energy saving is attained by reducing power consumption down to 35%.

先進外殼設計配合超長壽命馬達，可有效地提高性能運作；此外，長時間使用仍能獲得節能效果達35%。

5 Easy Installation 簡易安裝

Wiring of power cord to product is pre-installed in factory, just connect the cord to power supply for operation.

電源接線已經預先裝上。只要把電線連接到電源便可操作。

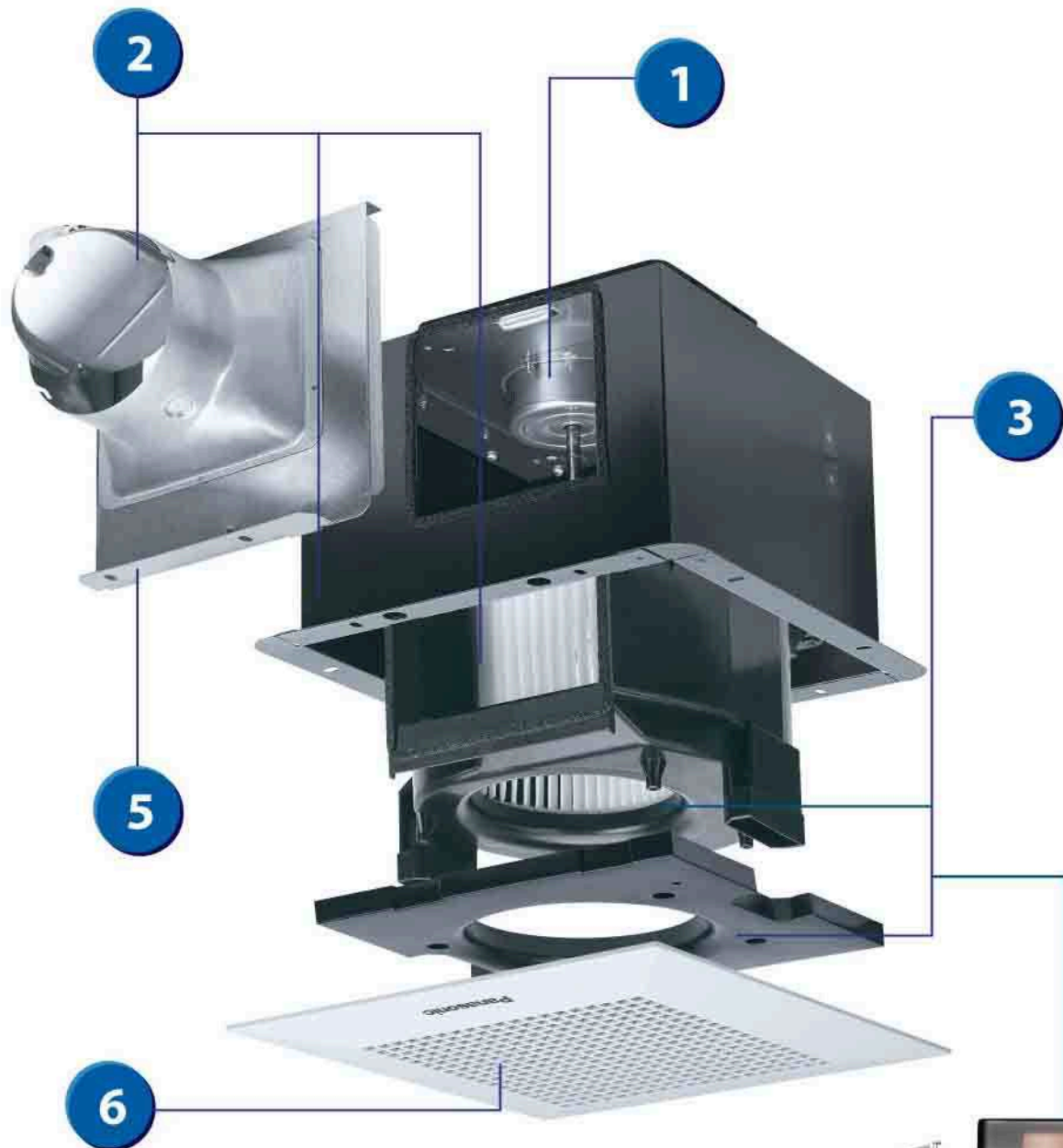
Cassette type discharge adaptor facilitating installation of the product, as well as duct connecting work.

盒式匹配器，使進行通風管道的連接工作，更方便快捷。

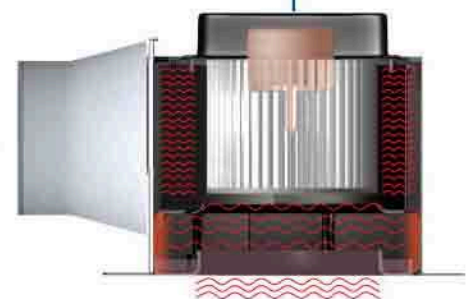
Easy Maintenance 簡易維修

One touch louver allows installation and removal of louver by finger touch.

一按式入風面板，可以簡單地進行安裝及拆卸工作，方便清潔。



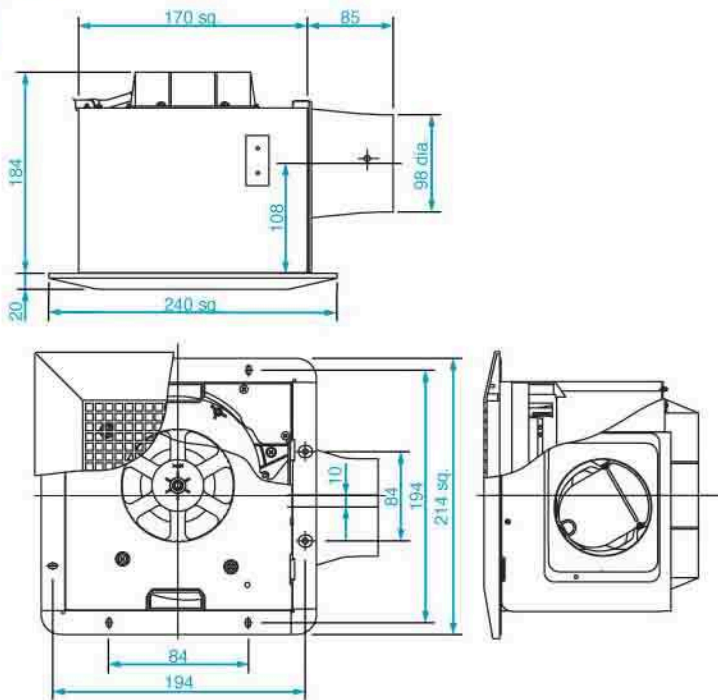
By the "Double Chamber" Structure, noise are effectively adsorbed and reduced between the double orifice and casing.
 透過「雙重面罩」結構，噪音有效地被吸附及減少雙重面罩和來框架之間。



Super Quiet Series 超靜音系列

FV-17CU7

Dimension 尺寸圖

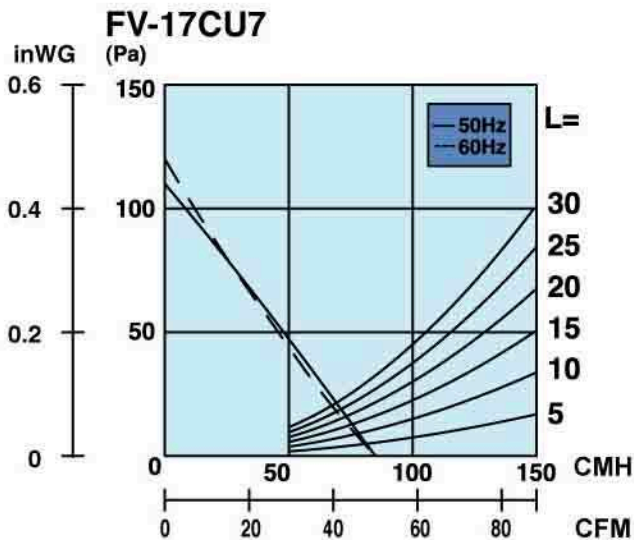


* Dimension (mm)



- Super low noise design
超靜音設計
- Long life ball bearing motor
長壽命滾珠軸承式馬達
- Taper blade sirocco fan
錐形渦輪扇葉
- Double chamber design
雙重面罩設計
- Pre-installed power cord
預先裝上電源接線

Performance Data (220V 50Hz/60Hz) 性能數據



Specification 規格

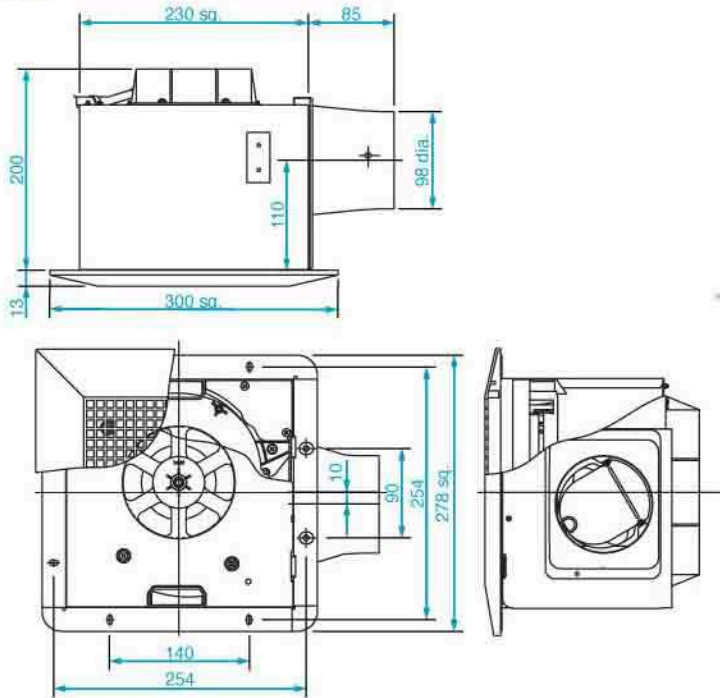
Model No. 型號	Hz 頻率	Consumption(W) 耗電量	R.P.M 轉速	Air Volume 排氣量		Noise 噪音 dB (A)	Weight 重單 (kg)	Installation space 安裝尺寸	Applicable pipe 管道直徑
				CMH	CFM				
FV-17CU7	50	11	790	85	50	26	1.9	177 x 177mm	ø 100mm
	60	11	800	85	50	28			

Note: The value in Specification tables are representative characteristic value at 220V, 50/60Hz.

Super Quiet Series 超靜音系列

FV-24CU7 FV-24CD7 FV-24CH7

Dimension 尺寸圖

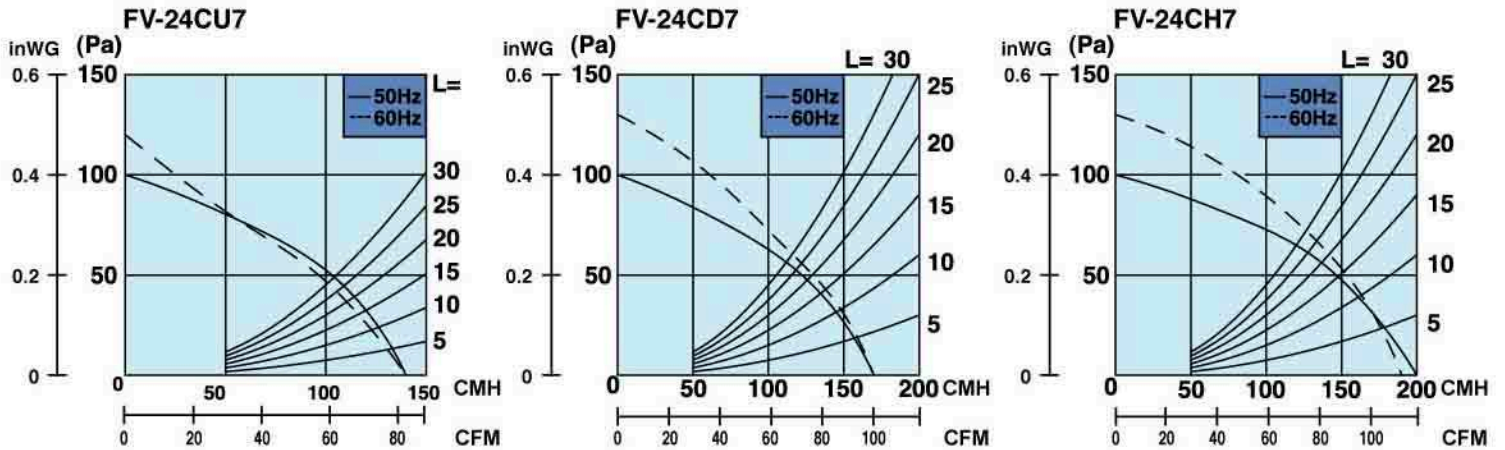


* Dimension (mm)



- Super low noise design
超靜音設計
- Long life ball bearing motor
長壽命滾珠軸承式馬達
- Taper blade sirocco fan
錐形渦輪扇葉
- Double chamber design
雙重面罩設計
- Pre-installed power cord
預先裝上電源接線

Performance Data (220V 50Hz/60Hz) 性能數據



Specification 規格

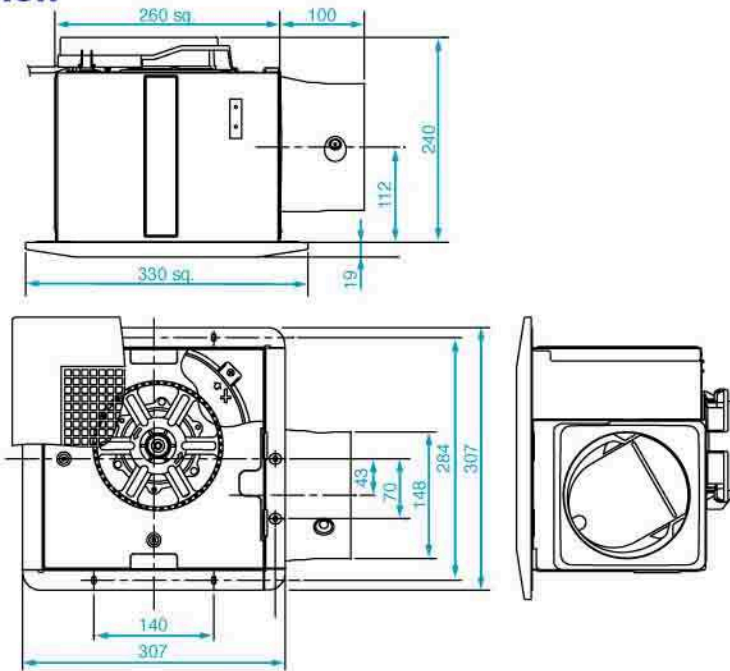
Model No. 型號	Hz 頻率	Consumption(W) 耗電量	R.P.M 轉速	Air Volume 排氣量		Noise 噪音dB (A)	Weight 重量 (kg)	Installation space 安裝尺寸	Applicable pipe 管道直徑
				CMH	CFM				
FV-24CU7	50	14	690	140	82	28	2.9	240x240mm	ø 100mm
	60	16	690	140	82	29			
FV-24CD7	50	17	790	170	100	31	3.0	240x240mm	ø 100mm
	60	19	805	170	100	33			
FV-24CH7	50	20	870	200	118	35	3.0	240x240mm	ø 100mm
	60	24	840	190	112	35			

Note: The value in Specification tables are representative characteristic value at 220V, 50/60Hz.

Super Quiet Series 超靜音系列

FV-27CH9

Dimension 尺寸圖

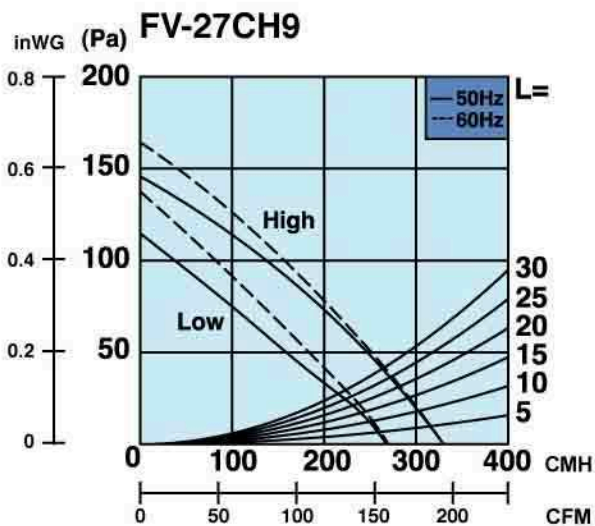


* Dimension (mm)



- Super low noise design
超靜音設計
- Long life ball bearing motor
長壽命滾珠軸承式馬達
- Taper blade sirocco fan
錐形渦輪扇葉
- Double chamber design
雙重面罩設計
- Pre-installed power cord
預先裝上電源接線
- 2 speed selectable
兩段風速調節

Performance Data (220V 50Hz/60Hz) 性能數據



Specification 規格

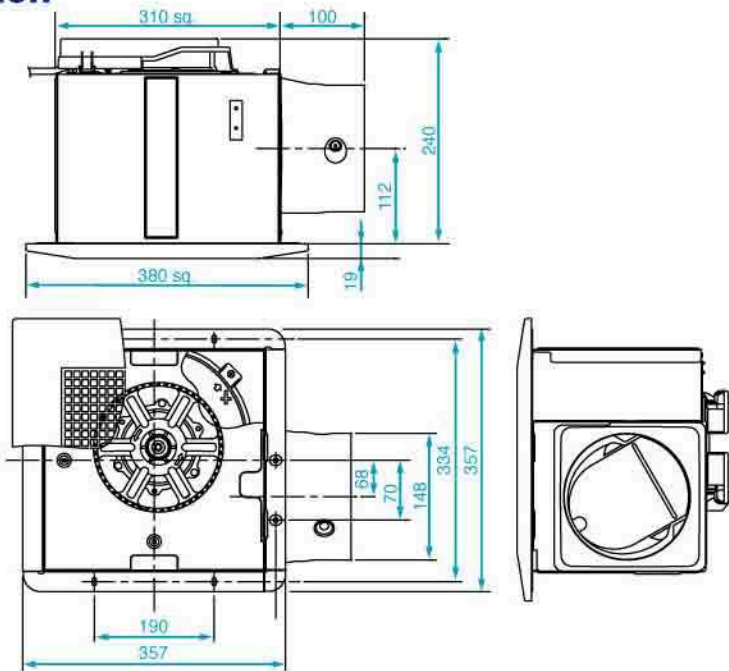
Model No. 型號	Hz 頻率	Consumption(W) 耗電量		R.P.M 轉速		Air Volume 排氣量				Noise 噪音 dB (A)		Weight 重量 (kg)	Installation space 安裝尺寸	Applicable pipe 管道直徑
		High	Low	High	Low	High		Low		High	Low			
FV-27CH9	50	28	23	570	480	330	194	260	153	34	30	4.4	270 x 270mm	ø 150mm
	60	33	26	570	490	330	194	270	159	34	31			

Note: The value in Specification tables are representative characteristic value at 220V, 50/60Hz.

Super Quiet Series 超靜音系列

FV-32CD9 FV-32CH9

Dimension 尺寸圖

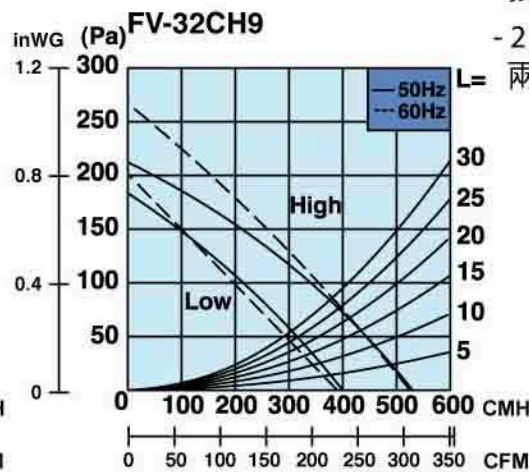
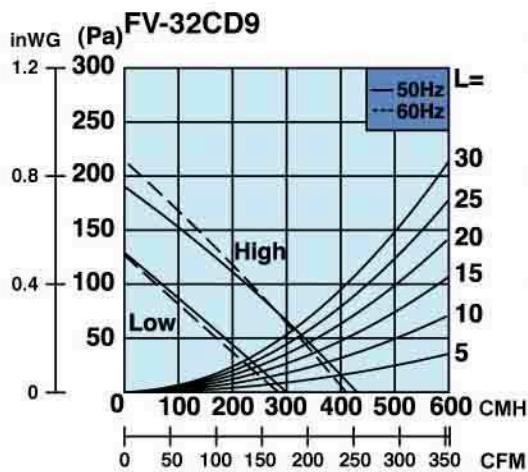


* Dimension (mm)



- Super low noise design
超靜音設計
- Long life ball bearing motor
長壽命滾珠軸承式馬達
- Taper blade sirocco fan
錐形渦輪扇葉
- Double chamber design
雙重面罩設計
- Pre-installed power cord
預先裝上電源接線
- 2 speed selectable
兩段風速調節

Performance Data (220V 50Hz/60Hz) 性能數據



Specification 規格

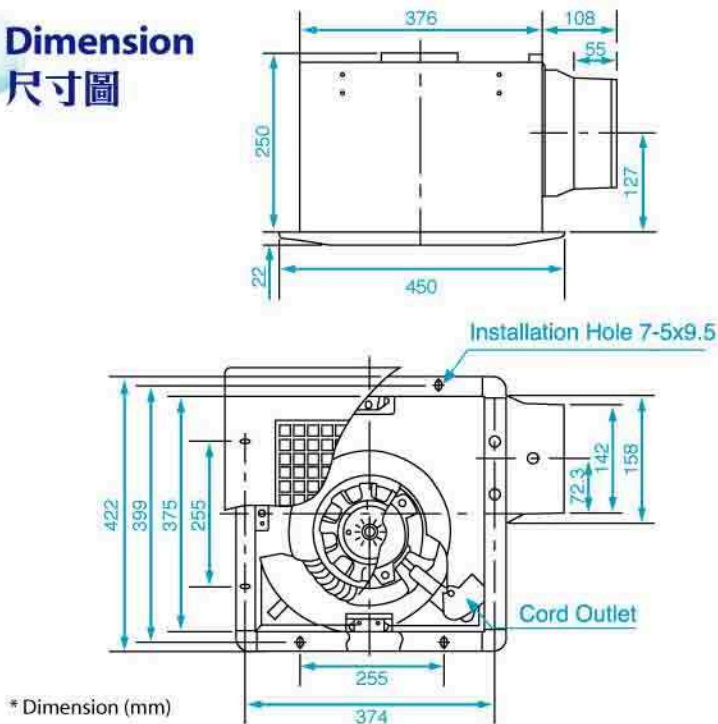
Model No. 型號	Hz 頻率	Consumption(W) 耗電量		R.P.M 轉速		Air Volume 排氣量				Noise 噪音 dB (A)		Weight 重量 (kg)	Installation space 安裝尺寸	Applicable pipe 管道直徑
		High	Low	High	Low	High		Low		High	Low			
FV-32CD9	50	42	32	590	460	430	253	300	177	36	28	5.2	320 x 320mm	ø 150mm
	60	48	33	580	450	410	241	285	168	36	28			
FV-32CH9	50	55	45	710	570	530	312	400	235	41	34	5.6	320 x 320mm	ø 150mm
	60	61	47	695	540	525	309	390	230	41	33			

Note: The value in Specification tables are representative characteristic value at 220V, 50/60Hz.

Standard Series 標準系列

FV-38CD8 FV-38CH8

Dimension 尺寸圖

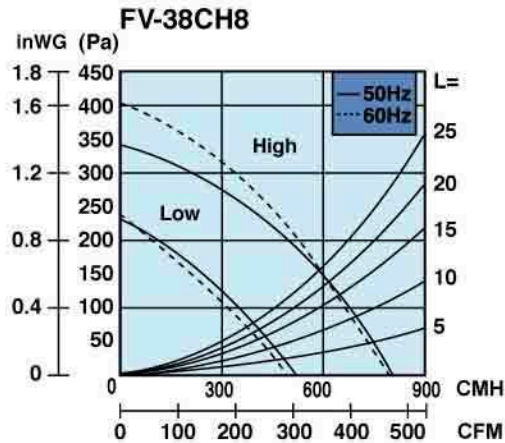
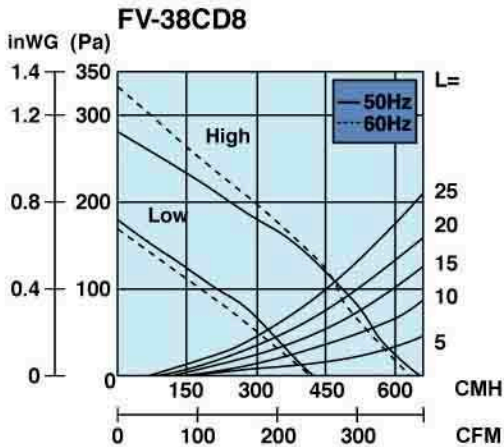


* Dimension (mm)



- Super low noise design
超靜音設計
- Long life ball bearing motor
長壽命滾珠軸承式馬達
- High efficient sirocco fan
高效能渦輪扇葉
- 2 speed selectable
兩段風速調節

Performance Data (220V 50Hz/60Hz) 性能數據



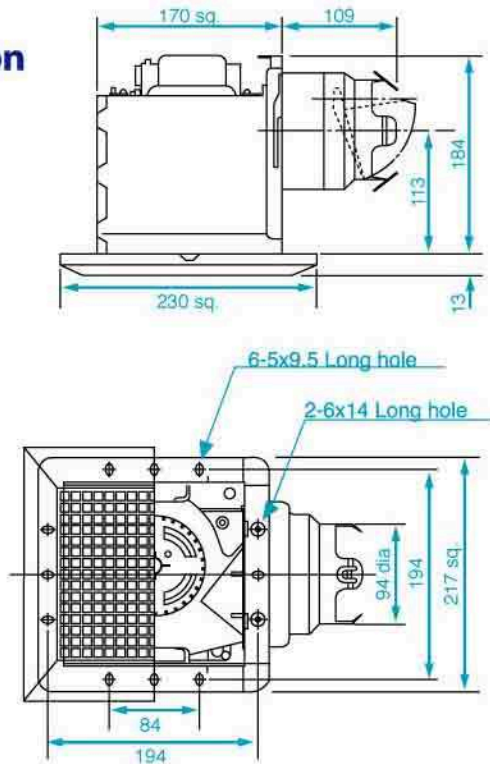
Specification 規格

Model No. 型號	Hz 頻率	Consumption(W) 耗電量		R.P.M 轉速		Air Volume 排氣量				Noise 噪音 dB (A)		Weight 重量 (kg)	Installation space 安裝尺寸	Applicable pipe 管道直徑
		High	Low	High	Low	High		Low		High	Low			
FV-38CD8	50	90	66	645	456	640	377	430	253	44	35	9.7	385 x 385mm	ø 150mm
	60	98	66	628	439	630	371	410	241	44	35			
FV-38CH8	50	122	89	790	540	800	471	525	309	50	40	10.4	385 x 385mm	ø 150mm
	60	138	90	760	509	790	465	500	294	49	39			

Note: The value in Specification tables are representative characteristic value at 220V, 50/60Hz.

Stainless Steel Series 不銹鋼系列

Dimension 尺寸圖



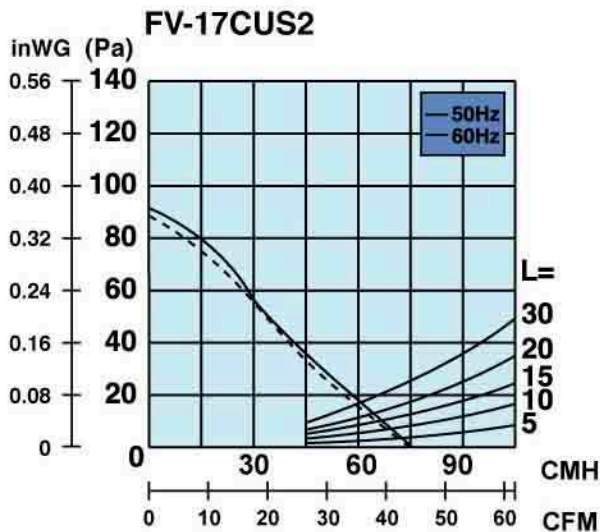
* Dimension (mm)

FV-17CUS2



- Stainless steel frame material
不銹鋼外框材料
- Low noise design
靜音設計
- High performance motor
性能卓越馬達
- High efficient sirocco fan
高效能渦輪扇葉

Performance Data (220V 50Hz/60Hz) 性能數據



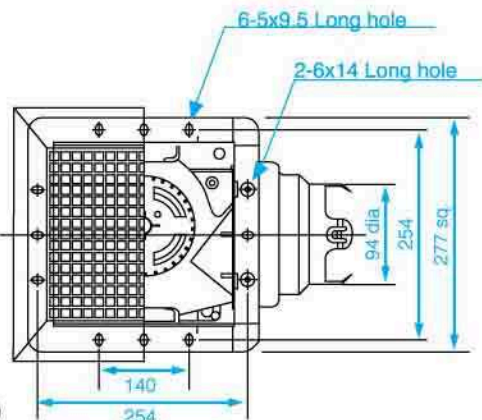
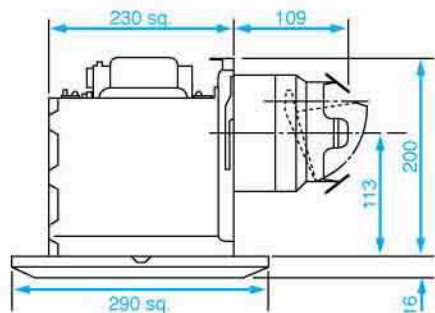
Specification 規格

Model No. 型號	Hz 頻率	Consumption(W) 耗電量	R.P.M 轉速	Air Volume 排氣量		Noise 噪音dB (A)	Weight 重量 (kg)	Installation space 安裝尺寸	Applicable pipe 管道直徑
				CMH	CFM				
FV-17CUS2	50	10	710	76	45	29	1.6	177 x 177mm	ø 100mm
	60	12	705	76	45	28			

Note: The value in Specification tables are representative characteristic value at 220V, 50/60Hz.

Stainless Steel Series 不銹鋼系列

Dimension 尺寸圖



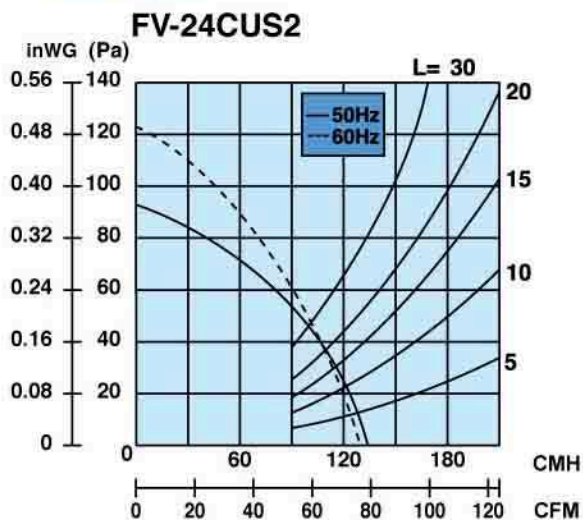
* Dimension (mm)

FV-24CUS2



- Stainless steel frame material
不銹鋼外框材料
- Low noise design
靜音設計
- High performance motor
性能卓越馬達
- High efficient sirocco fan
高效能渦輪扇葉

Performance Data (220V 50Hz/60Hz) 性能數據



Specification 規格

Model No. 型號	Hz 頻率	Consumption(W) 耗電量	R.P.M 轉速	Air Volume 排氣量		Noise 噪音dB (A)	Weight 重量 (kg)	Installation space 安裝尺寸	Applicable pipe 管道直徑
				CMH	CFM				
FV-24CUS2	50	20	645	136	80	30	2.9	240 x 240mm	ø 100mm
	60	20	620	131	77	29			

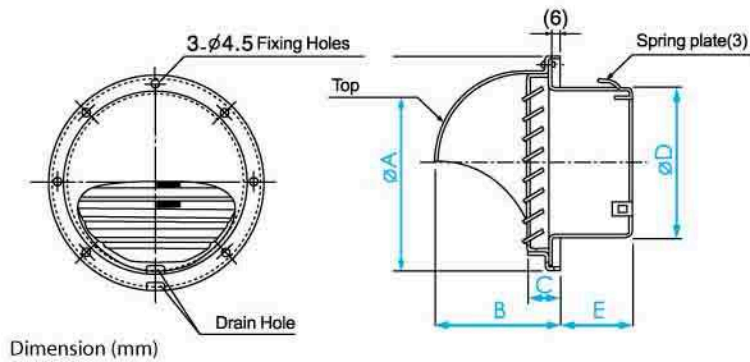
Note: The value in Specification tables are representative characteristic value at 220V, 50/60Hz.

Ventilating Fan Accessories

換氣扇配件

Dimension 尺寸圖

FV-MGX100P / FV-MGX150P (Pipe Hood With Net) 管道蓋(有濾網)
FV-MCX100P / FV-MCX150P (Pipe Hood Without Net) 管道蓋(無濾網)



Model No. 型號	A	B	C	D	E	Dimension of net 濾網尺寸 (mm)	Diameter of Applicable Pipe 可適用管道之直徑
FV-MGX100P	141	79	20	97	48	2.5 x 2.5	ø 100
FV-MGX150P	190	106	23	147	53	2.5 x 2.5	ø 150
FV-MCX100P	141	79	20	97	48	-	ø 100
FV-MCX150P	190	106	23	147	53	-	ø 150

- High Strength - SUS 304 stainless steel
高強度 - SUS 304不銹鋼
- Excellent anti-rust capability - hood part coated with metallic silver paint
卓越防銹功能 - 部件附有金屬銀色塗層

- Easy Installation - spring clips facilitate duct / pipe connection
簡易安裝 - 彈簧扣方便管道連接
- Keep out ingress of small particles and insects from outside (FV-MGX TYPE)
可防止微粒及昆蟲從外進入 (FV-MGX 型號)
- it is recommended to use vent cap with net at intake terminal
建議入氣口使用有濾網通風道罩

Other Pipe Hood Options 其他管道蓋選擇

Aluminum鋁
FY-MCA042
FY-MCA062



Aluminum鋁
FY-HDA04
FY-HDA06



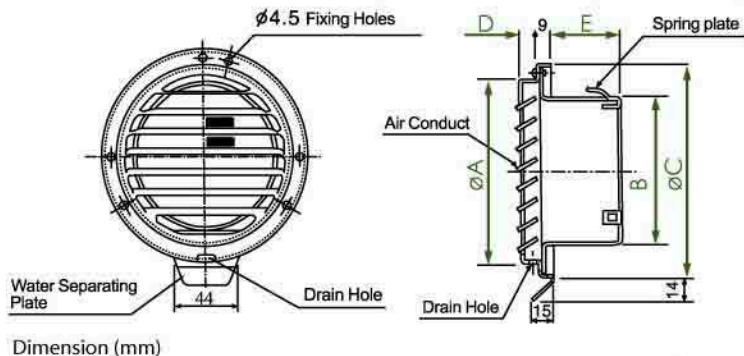
Pipe Diameter 管道直徑	Pipe Hood Models 管道蓋型號	Applicable CMVF Models 適用型號
ø100mm	FV-MCX100P, FV-MGX100P, FY-MCA042, FY-HDA04,	FV-17CU7, FV-24CU7, FV-24CD7, FV-24CH7, FV-17CUS2, FV-24CUS2
ø150mm	FV-MCX150P, FV-MGX150P, FY-MCA062, FY-HDA06	FV-27CH9, FV-32CD9, FV-32CH9, FV-38CD8, FV-38CH8

Ventilating Fan Accessories

換氣扇配件

Dimension 尺寸圖

FV-VGX100P / FV-VGX150P (Vent Cap With Net) 通風道罩(有濾網)
FV-VCX100P / FV-VCX150P (Vent Cap Without Net) 通風道罩(無濾網)



Dimension (mm)

Model No. 型號	A	B	C	D	E	Dimension of net 濾網尺寸 (mm)	Diameter of Applicable Pipe 可適用管道之直徑
FV-VGX100P	120	97	145	13	47	2.5 x 2.5	ø 100
FV-VGX150P	169	147	195	18	52	2.5 x 2.5	ø 150
FV-VCX100P	120	97	145	13	47	-	ø 100
FV-VCX150P	169	147	195	18	52	-	ø 150

- High Strength - SUS 304 stainless steel
高強度 - SUS 304不銹鋼
- Excellent anti-rust capability - hood part coated with metallic silver paint
卓越防銹功能 - 部件附有金屬銀色塗層

- Easy Installation - spring clips facilitate duct / pipe connection
簡易安裝 - 彈簧扣方便管道連接
- Keep out ingress of small particles and insects from outside (FV-VGX TYPE)
可防止微粒及昆蟲從外進入 (FV-VGX 型號)
- it is recommended to use vent cap with net at intake terminal
建議入氣口使用有濾網通風道罩

Other Options 其他選擇

Vent Cap 通風通罩

Resin 樹脂
FY-04VCP2
FY-06VCP2



Aluminum 鋁
FY-VCA042
FY-VCA062



Pipe Diameter 管道直徑	Vent Cap Models 通風通罩型號	Applicable CMVF Models 適用型號
ø 100mm	FV-VGX100P, FV-VCX100P, FY-04VCP2, FY-VCA042	FV-17CU7, FV-24CU7, FV-24CD7, FV-24CH7, FV-17CUS2, FV-24CUS2,
ø 150mm	FV-VGX150P, FV-VCX150P, FY-06VCP2, FY-VCA062,	FV-27CH9, FV-32CD9, FV-32CH9, FV-38CD8, FV-38CH8

2 Hanging Bracket 吊裝金具

Hanging Bracket 吊裝金具	Steel 鋼 FY-KB021	Steel 鋼 FY-KB071	Stainless 不銹鋼 FY-KB081
Applicable Models 適用型號	FV-17CU7, FV-24CU7, FV-24CD7, FV-24CH7	FV-27CH9, FV-32CD9, FV-32CH9, FV-38CD8, FV-38CH8	FV-17CUS2, FV-24CUS2

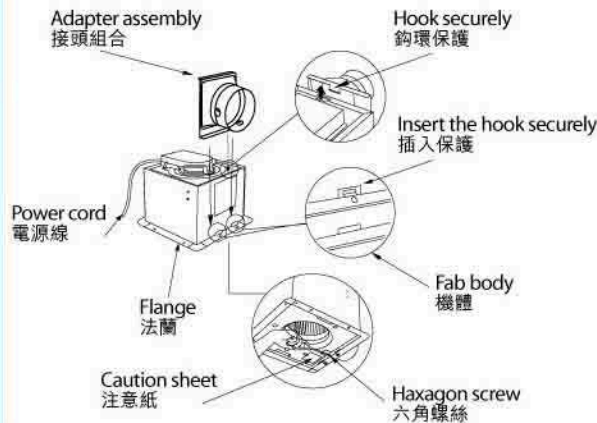
Installation Method

安裝方法

Method A (Suspension Brackets)

方法 A (懸掛片)

Connect the adaptor assembly to the fan body, and fix the adaptor assembly using a hexagon screw.
安裝接頭合到機上，再用六角螺絲固定接頭組合。

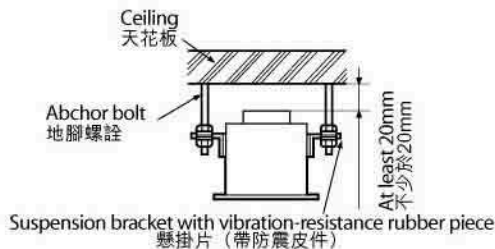


Fix the suspension bracket with screws.
用螺釘固定懸掛片。

The screw length should not exceed 8mm.
使用的螺釘長度不能超過8mm。



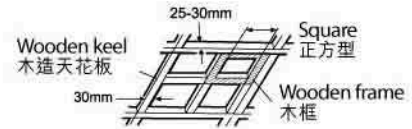
Mount the fan body enclosure on the anchor bolts
將機體安裝在地腳螺栓上。



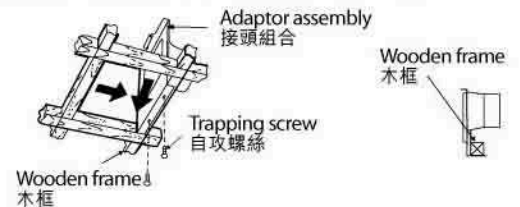
Method B (Wooden Frame)

方法 B (木框)

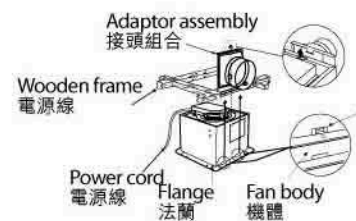
Build a wooden frame horizontally from the wooden keel.
在木造天花板上水平地搭建木框。



Attach the adaptor assembly to the wooden frames.
將接頭組合緊貼木框並安裝在木框一邊。



Insert the fan body in the wooden frame, and connect it to the adaptor assembly.
將機體安裝在木框內，並將機體與接頭組合連接起來。



Firmly secure the fan body with four trapping screws and a hexagon screw.
用四顆自攻螺絲和一顆六角螺絲機體牢固地定起來。



* Suspension brackets are optional accessories.
懸掛片乃另購配件。

* Vibration resistance rubbers and anchor bolts would be arranged locally.
防震皮件及地腳螺栓由當地安排或購買。

Models Comparison

型號比較

Model No. 型號	Hz 頻率	R.P.M 轉速		Air Volume 排氣量				Consumption (W) 耗電量		Noise 噪音 dB (A)		Weight(kg) 重量
		High	Low	High		Low		High	Low	High	Low	
				CMH	CFM	CMH	CFM					
FV-17CU7	50	790	-	85	50	-	-	11	-	26	-	1.9
	60	800	-	85	50	-	-	11	-	28	-	
FV-24CU7	50	690	-	140	82	-	-	14	-	28	-	2.9
	60	690	-	140	82	-	-	16	-	29	-	
FV-24CD7	50	790	-	170	100	-	-	17	-	31	-	3.0
	60	805	-	170	100	-	-	19	-	33	-	
FV-24CH7	50	870	-	200	118	-	-	20	-	35	-	3.0
	60	840	-	190	112	-	-	24	-	35	-	
FV-27CH9	50	570	480	330	194	260	153	28	23	34	30	4.4
	60	570	490	330	194	270	159	33	26	34	31	
FV-32CD9	50	590	460	430	253	300	177	42	32	36	28	5.2
	60	580	450	410	241	285	168	48	33	36	28	
FV-32CH9	50	710	570	530	312	400	235	55	45	41	34	5.6
	60	695	540	525	309	390	230	61	47	41	33	
FV-38CD8	50	645	456	640	377	430	253	90	66	44	35	9.7
	60	628	439	630	371	410	241	98	66	44	35	
FV-38CH8	50	790	540	800	471	525	309	122	89	50	40	10.4
	60	760	509	790	465	500	294	138	90	49	39	
FV-17CUS2	50	710	-	76	45	-	-	10	-	29	-	1.6
	60	705	-	76	45	-	-	12	-	28	-	
FV-24CUS2	50	645	-	136	80	-	-	20	-	30	-	2.9
	60	620	-	131	77	-	-	20	-	29	-	

Note: The value in Specification tables are representative characteristic value at 220V, 50/60Hz.



BUSINESS DIVISION

China - Beijing

Panasonic Ecology Systems Guangdong Co., Ltd. Beijing Branch
No. 5, TianZhu Road, Beijing TianZhu Airport Industrial Zone,
ShunYi District, Beijing.
Tel: (86) 10-8048-9757

China - Shunde

Panasonic Ecology Systems Guangdong Co., Ltd.
2 South Chaogui Road, Shunde High-tech Industrial
Zone, Foshan, Guangdong, China.
Tel: (86) 757-2837-3113

Thailand

Panasonic Ecology Systems (Thailand) Co., Ltd.
101 Moo 2 Teparak Rd, T. Bangsaothong Ging A,
Bangsaothong, Samutprakarn 10540, Thailand.
Tel: (66) 2723-3000

Japan Headquarter

Panasonic Ecology Systems Co., Ltd.
4017, Takaki-cho, Kasugai, Aichi, Japan.
Tel: (81) 568-81-1511

Hong Kong

Panasonic Ecology Systems Hong Kong Co., Ltd.
Unit A-C, 23/F, CDW Building, 388 Castle Peak
Road, Tsuen Wan, Hong Kong.
Tel: (852) 2466-1708



Factories of Panasonic Ecology Systems Co., Ltd. are certified and registered for Environment Management System as per international standard

ISO 14001



Japan Factory



Japan Factory



Hong Kong Office (PESHK)



China Factory (PESGD)



China Factory (PESGD-BJ)



Thailand Factory (PESTH)

Factories of Panasonic Ecology Systems Co., Ltd. are certified and registered for quality guarantee (control) as per international standards

ISO 9001



Japan Factory
ISO 9001

Ventilating Fans, Thermal Transfer Devices, Others
Certificate No. JQA-0634



Japan Factory
ISO 9001

Air-Moving Equipments,
Air-Conditioning Equipments,
Dust Collectors
Certificate No. RQ0233



Thailand Factory (PESTH)
ISO 9001

Ventilating Fans, Electric Fans,
Air Purifiers, Others
Certificate No. TH99/15841QM



China Factory (PESGD)
ISO 9001

Ventilating Fans, Electric Fans,
Air Purifiers, Others
Certificate No. 00605Q10842R2L



Hong Kong Office (PESHK)
ISO 9001

Ventilating Fans, Electric Fans,
Air Purifiers, Others
Certificate No. A3277



China Factory (PESGD-BJ)
ISO 9001

Air Conditioning Equipments
Certificate No. CN00/18938

- * Specifications are subjected to change without prior notice.
- * 產品規格如有變更，恕不另行通知。
- * Actual colors may slightly vary from those shown.
- * 實際顏色可能會有微小差異。